



CEMENT MIXA

AUSTRALIA'S PREMIER ATTACHMENT MANUFACTURER



Cement Mixa

Digga Cement Mixa can mix anything from cement to fertilizer, it fits quickly and easily to your Digga Planetary Auger Drive (Auger Drive sold separately)

Features:

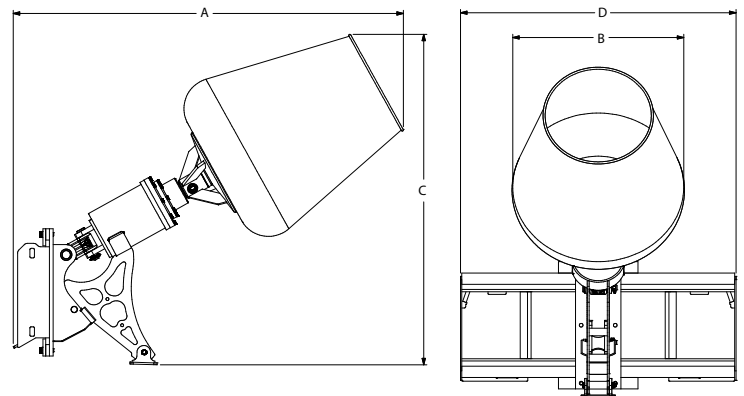
- Simple efficient design requires minimal fitment and can be fitted to your SCS
- Cement mixing attachment to suit all premium Digga auger drives and Mini Auger Drives
- Maintenance free
- New Design, easy connection

Ideal Use:

Mixing cement, fertilizer

Machine Suitability:

Skid Steer Loaders, Front End Loaders and Tele-Handlers.



Specifications	2.2 cubic feet	3.5 cubic feet
Length (A)	1300 mm	1424 mm
Width (B)	1212 mm	1212 mm
Height (C)	1469 mm	1571 mm
Width (D) Bowl Only	580 mm	740mm
Max Flow (LPM)	30-75	75-230
Max Pressure (Bar)	205	240
Weight Complete with PD3 & Frame	158kgs	173kgs
Weight (Bowl & Cradle Only)	38kgs	53kgs

GET ATTACHED

with an experienced partner

DIGGA Head Office

Brisbane QLD

4 Octal Street,
Yatala QLD 4207
Ph: (07) 3807 3330
Fax: (07) 3807 1499

Email: info@digga.com Web: www.digga.com

DIGGA NSW

1 Gallipoli St, Smeaton
Grange, NSW, 2567
Ph: (02) 4647 1400
Fax: (02) 4647 1433

DIGGA VIC

21 - 25 Villas Road
Dandenong VIC, 3175
Ph: (03) 9706 6171
Fax: (03) 9706 6164

DIGGA WEST

13 Yampi Way,
Willetton, WA, 6155
Ph: (08) 9457 1544
Fax: (08) 9457 0748

