



Foot option also available.



## Cement Mixer

The Digga Cement Mixer can mix anything from cement to fertilizer, it fits quickly and easily to your Digga Planetary Auger Drive.

(Auger Drive sold separately)

### Features:

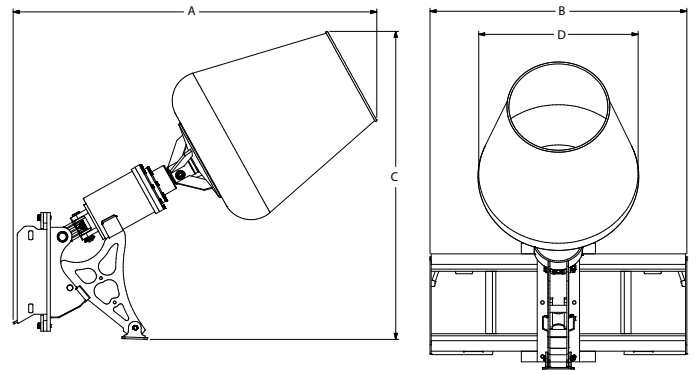
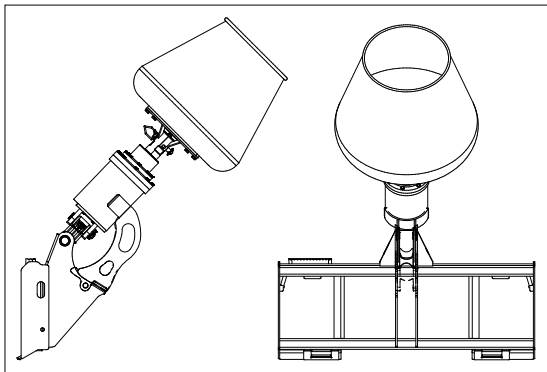
- Easy Connection: Simply pin cradle to existing auger frame and add mixer bowl. Change from drilling to mixing in under 2 minutes.
- Cement mixing attachment to suits Digga auger drives and frames only. Also available for mini machines.
- Maintenance free.
- Manufactured from quality materials.

### Ideal Use:

Mixing cement, mulch, animal feed, fertilizer.

### Machine Suitability:

Skid Steer Loaders, Front End Loaders and Tele-Handlers.



Specifications	Small	Large
Total Capacity ^	3.9 Cu ft / 110 L	5.7 Cu ft / 160 L
Operating Capacity *	2.5 Cu ft / 70 L	4 Cu ft / 115 L
Length (A)	1300 mm	1424 mm
Width (B)	1212 mm	1212 mm
Height (C)	1469 mm	1571 mm
Width (D) Bowl Only	580 mm	740 mm
Weight Complete with PD3 & Frame	158 kg	173 kg
Weight (Bowl & Cradle Only)	38 kg	53 kg

(\*) Maximum operating capacity is measured at an operating angle of 45 degrees.

(^) An upright position depicts total capacity.

**Contact your local professional dealer or contact Digga direct**

THE BEST DOWNUNDER

# DIGGA

PHONE: 1300 2 DIGGA EMAIL: [info@digga.com](mailto:info@digga.com) WEB: [www.digga.com](http://www.digga.com)

**QLD, NT**  
4 Octal Street  
Yatala QLD 4207

**NSW, ACT**  
Unit 2, 36 Bluett Drive  
Smeaton Grange NSW 2567

**VIC, SA, TAS**  
27 Metcalf Street  
Dandenong VIC 3175

**WA**  
6/15 Yampi Way  
Willeton WA 6155

AUTHORISED  
DIGGA DEALER