



## MINI SKID HOE

The Digga Mini Skid Hoe is perfect for digging trenches and footings upto 1.27m deep with a large bucket range suiting most mini machines and small skid steers.

### Features:

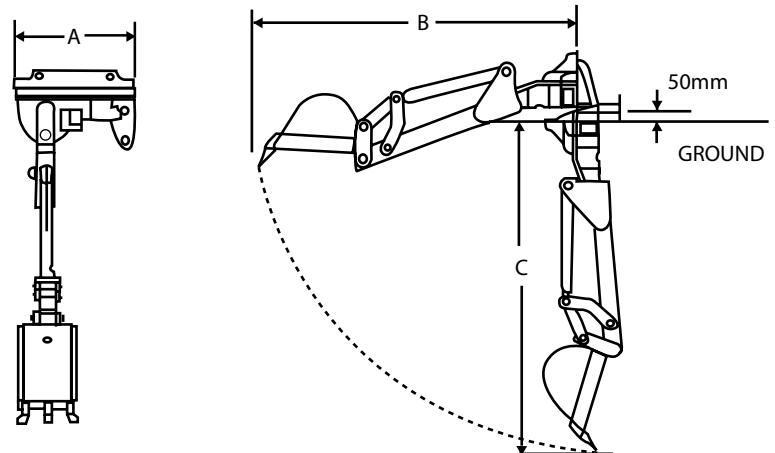
- Dig Trenches up to 1270mm deep.
- Bucket curl feature.
- Standard with 12" (300mm) bucket.
- Fits most major mini loader brands.
- Unique yoke design ensures maximum open of the cylinder providing full reach and optimising clean out of bucket.
- Manual side shift frame available for off centre digging.

### Ideal Use:

Digging Trenches and Footings

### Machine Suitability:

Mini Loaders, Mini Machines and small skid steers



Skid Hoe also available

Specification:	
Width (A)	635mm
Reach (B)	1295mm
Digging Depth (C)	1270mm
Digging Force (bucket cylinder)	907kgs
Weight	70kgs

Contact your local professional dealer or contact Digga direct

THE BEST DOWNUNDER

# DIGGA

PHONE: 1300 2 DIGGA EMAIL: [info@digga.com](mailto:info@digga.com) WEB: [www.digga.com](http://www.digga.com)

QLD, NT  
4 Octal Street  
Yatala QLD 4207

NSW, ACT  
Unit 2, 36 Bluett Drive  
Smeaton Grange NSW 2567

VIC, SA, TAS  
27 Metcalf Street  
Dandenong VIC 3175

WA  
6/15 Yampi Way  
Willetton WA 6155

