

Specifications

MODEL GTH-3013

MEASUREMENTS	Metric	Imperial
Lifting height (max)	12.6 m	41 ft 3 in
Lifting capacity (max)	3,000 kg	6,613 lbs
Lift capacity at maximum height	2,500 kg	5,511 lbs
Lift capacity at maximum reach	700 kg	1,543 lbs
Forward reach (max)	8.74 m	28 ft 6 in

A Height	2.49 m	8 ft 1 in
B Height at steering wheel	1.92 m	6 ft 3 in
C Width	2.33 m	7 ft 6 in
D Inside cab width	0.91 m	3 ft
E Track	1.92 m	6 ft 3 in
F Wheelbase	2.85 m	9 ft 3 in
G Length at front wheels	4.44 m	14 ft 5 in
H Length at fork-holder plate	5.53 m	18 ft 1 in
I Ground clearance	0.46 m	1 ft 5 in
J Overall width, stabilisers extended	2.93 m	9 ft 6 in
K1 Obstruction angle	39°	39°
K2 Departure angle	27°	27°

PRODUCTIVITY

Lifting/lowering speed	12 sec./10 sec.	12 sec./10 sec.
Extension/retraction speed	20 sec./24 sec.	20 sec./24 sec.
Boom extension/retraction speed	16 sec./15 sec.	16 sec./15 sec.
Inside/outside turning radius	1.30 m/3.99 m	4 ft 2 in/13 ft 1 in
Break out force (with 800L shovel SAE J 732/80)	7,260 kg	16,000 lbs
Towing capacity at dynamometer	4,050 kg	8,929 lbs
Travel speed	30 km/h	19 mph
Gradeability (Unloaded)	40%	40%
(Full Load)	25%	25%
Fork-holder plate rotation	145°	145°
Floating forks	L 1200 mm Section 120x50 mm	L 3 ft 9 in Section 5 in x 2 in
Tyres (DIN 70361)	405/70-20 8 holes wheel disc	

POWER

Engine	Perkins Turbo Diesel 74.4kw (101 hp) standard	
Tank capacities		
Fuel	135 L	29.7 gal
Engine oil	11.5 L	2.5 gal
Coolant	15 L	13.3 gal
Hydraulic oil	150 L	33 gal

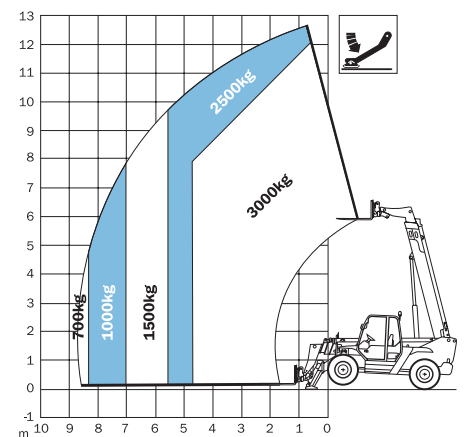
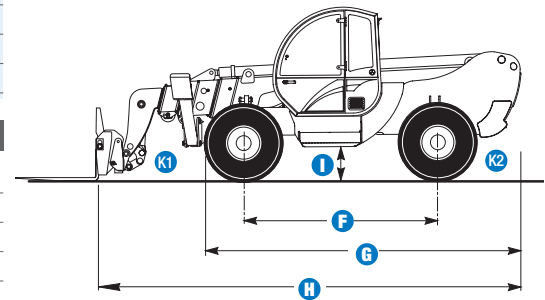
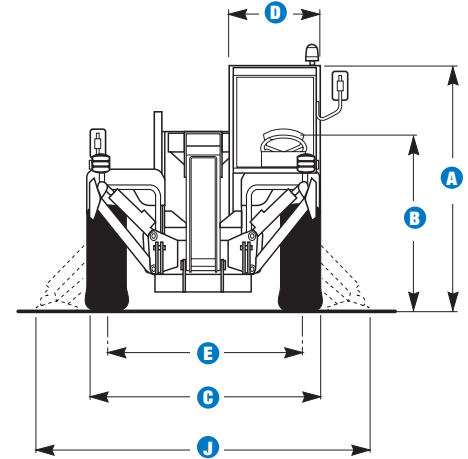
WEIGHT

Weight*	9,900 kg	21,825 lbs
---------	----------	------------

STANDARDS COMPLIANCE

Operating cab, conforms to EEC directives 86/295 (ROPS) and 86/296 (FOPS)

* Weight will vary depending on options and/or country standards **EN1459 AS1418-19**



Lift capacity chart (with stabilisers)

Features

STANDARD FEATURES

MEASUREMENTS

- 3,000 kg (6,613 lbs) maximum lift capacity
- 12.6 m (41 ft 3 in) maximum lift height
- 8.74 m (28 ft 6 in) maximum forward reach

PRODUCTIVITY

- 3,000 kg (6,613lbs) lift capacity (max.)
- 12.6 m (41ft 3in) lifting height (max.)
- 8.74 m (28ft 6in) forward reach (max.)
- Four-wheel drive
- Three steering modes: front wheel steer, crab steer and coordinated steer
- Oscillating rear axle
- Front hydraulic outriggers
- Chassis levelling on front axle (+ or - 8 °)
- Limited slip differential
- Closed loop hydrostatic drive for smooth and precise positioning
- Multi function – electroproportional joystick
- Brakes: multi-disc, oil immersed, self adjusting
- Power assisted steering
- Easy access to components for maintenance
- Floating forks
- Attachment holder plate with mechanical coupling
- Adjustable steering wheel
- Fully adjustable seat
- Lockable fuel tank
- Quick coupling of tools from cab
- Windshield protection grid
- Longitudinal stability control system with:
 - Visual display with coloured LEDs
 - Audible alarm
 - Automatic lockout of boom extension and lowering.
- Lockout of stabilisers and chassis level with boom raised

POWER

- Perkins diesel engine 57.5kw (78 hp)
- Perkins Turbo Diesel 74.4kw (101 hp)



OPTIONS & ACCESSORIES

PRODUCTIVITY

- Air conditioning
- Spare wheel
- Adjustable spotlights
- Tyres and rims (405/70 – 24)
- AM/FM radio with CD player
- Load management system

ATTACHMENT OPTIONS

Genie has a large range of attachments available. Please contact Genie or your nearest Genie telehandler dealer.

Genie Australia

591 Boundary Road, Darra, Qld 4076
PO Box 394, Richlands, Qld 4077
Tel: + 61 7 3375 1660
Toll Free In Australia: 1800 331 660
Fax: + 61 7 3375 1002

European Offices

UK

The Maltings
Wharf Road
Grantham NG31 6BH
UK
Tel: +44 (0)1476 584333
Fax: +44 (0)1476 584334

France

10, ZA de la Croix St. Mathieu
28320 Gallardon
France
Tel: +33 (0)2 37 26 09 99
Fax: +33 (0)2 37 26 09 98

Germany

Finienweg 3
28832 Achim/Bremen
Germany
Tel: +49 (0)4202 8852-0
Fax: +49 (0)4202 8852-25

Spain

Gai`a 31, Pol. Ind. Pl`a d'en Coll
08110 Montcada i Reixac
Barcelona
Spain
Tel: +34 93 572 50 90
Fax: +34 93 572 50 91

Scandinavia

Tagenevägen 72
425 37 Hisings Kärra
Sweden
Tel: +46 31 57 51 00
Fax: +46 31 57 90 20

Genie United States

18340 NE 76th Street
P.O. Box 97030
Redmond, Washington 98073-9730
USA
Tel: +1 425 881-1800
Fax: +1 425 883-3475

WEB: www.genieindustries.com.au

Distributed By: